

Capped IDC

Series 9175-700



The market and applications for simple and reliable discrete Wire-to-Board connectors continue to evolve. AVX first introduced the 9175 series of surface mountable Insulation Displacement Connectors (IDC) in 2006. Developed for harsh industrial and automotive applications, these connectors have been used in hundreds of applications from today's "Smart Meter" all the way down to a simple sensor termination to a PCB. Size and performance has been one of the key factors for selecting this connector in terminating 26-28AWG wires to a PCB.

The next generation of IDC connector moves beyond all of the technical and performance attributes to address the "User Friendliness" of the product. By changing the insulator from acting as a connector body and make it more like a contact carrier, the insulator becomes the wire location and insertion aid without any special tools. The wire is just inserted into the cap (no stripping required) and then pressed down to provide a secure "Gas Tight" termination. This configuration simplifies and cost reduces the entire wire termination process for connecting discrete wires to a PCB.

APPLICATIONS

- Connecting discrete wire components to a PCB
- Bringing power and signals onto a PCB
- Daisy chaining PCB's together to create a continuous string
- Reference Product Specification 201-01-140

FEATURES AND BENEFITS

- IDC contact provides a gas-tight connection to the PCB for long term reliability
- Plastic cap retains the contacts in position prior to automatic placement, then acts as the assembly tool to terminate the wires; no special tooling.
- Tested to automotive levels on shock, vibration and temperature cycling for reliability
- Identical contact and footprint pattern to the existing 9175 for full backward compatibility and functionality
- The IDC contact reduces the total applied cost versus solder or crimp processes
- Connectors are available in two configurations for maximum flexibility; End and Through Wire

ELECTRICAL

- Current Rating: 1 Amps / Contact
- Voltage Rating: 150 VAC

ENVIRONMENTAL

- Operating Temperature: -40°C to +125°C

MECHANICAL

- Insulator Material: Nylon UL94VO
- Contact Material: Phosphor Bronze
- Plating: Tin over Nickel
- Durability 3 Cycles

HOW TO ORDER

00	9175	00X				701	X				X	6
Prefix	Series	Number of Ways		Wire Gauge Size Cap Pre-Assembled			Insulator Color			Cap Options		Plating Option
		Code	No of Ways	Details	Code	Accepted Wire Gauge	Wire Insulation	9 = UL White	Code	Cap Option	Description	Detail
		002	2	Pages 2 & 4	701	28 Gauge Solid or Stranded	Min Ø 0.70	8 = UL Black Special Order	0	Through Wire	Allows wire to be terminated at any point	Page 2-3
		003	3	Pages 3 & 5		26 Gauge Solid or Stranded	Max Ø 1.00	1 = White	9	Wire Stop	Terminates end of wire End Protected by stop face	Pages 4-5
								0 = Black Special Order				06 = Pure Tin all over

Certification: UL File #E90723

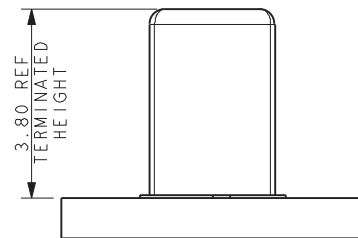
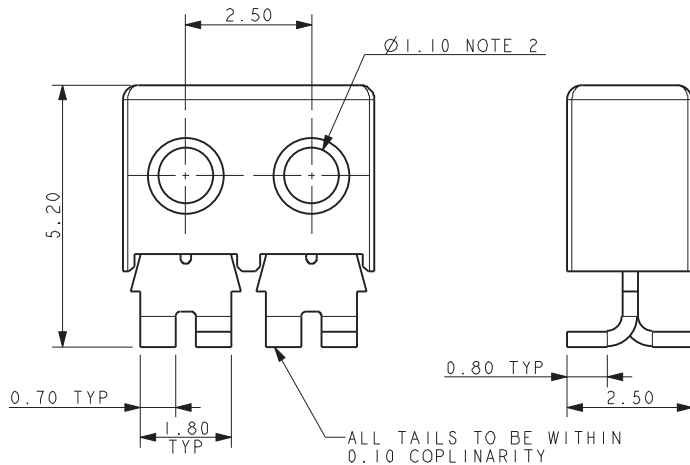
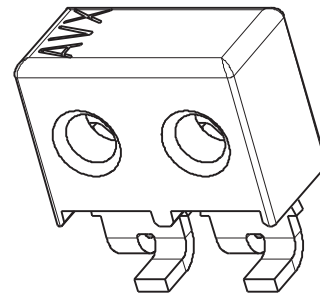
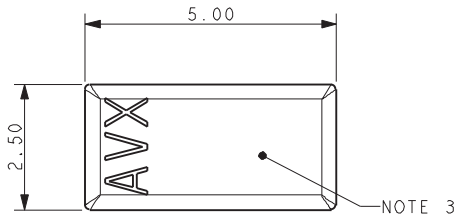


Discrete Wire IDC

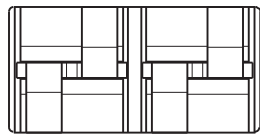
Series 9175-700



26-28 AWG 2 WAY IDC CONNECTOR THROUGH WIRE CAPPED IDC

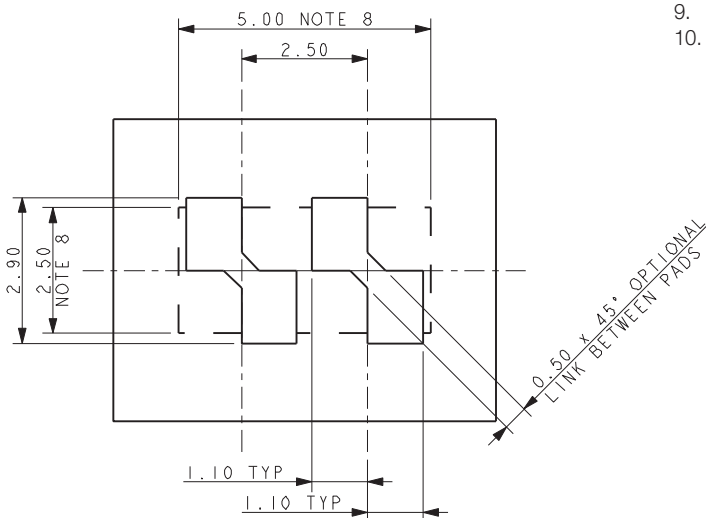


MOUNTED ON PCB



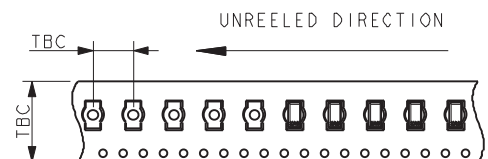
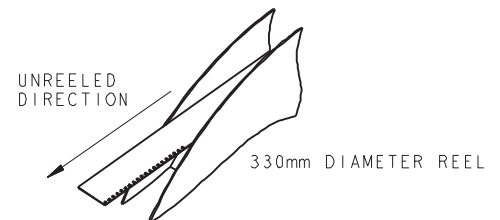
NOTES:

1. 2 WAY CONNECTOR FOR IDC WIRE TO BOARD CONNECTION. PRE-ASSEMBLED THROUGH WIRE CAP.
2. CONTACT/CAP TO MATCH 26AWG AND 28AWG WIRES. SOLID OR STANDED CONDUCTOR. MAXIMUM INSULATOR 1.00 MM DIAMETER.
3. FLAT FACE ON TOP OF CAP TO AID PICK AND PLACE ASSEMBLY.
4. FOR FULL DETAILS REFER TO ELCO SPECIFICATION 201-01-139.
5. ASSEMBLY PROCEDURE, REFER TO APPLICATION NOTES 201-01-140.
6. GENERAL TOLERANCE ± 0.20 UNLESS STATED.
7. PACKED IN TAPE AND REEL, QUANTITY PER REEL 1000.
8. CONNECTOR OUTLINE.
9. CONTACT MATERIAL: TIN PLATED COPPER ALLOY.
10. INSULATOR MATERIAL: HIGH TEMPERATURE NYLON, GLASS FILLED, UL94 V-0. COLOR REFER TO PAGE1.



SUGGEST PCB LAYOUT

PACKING DETAILS



QUANTITY PER REEL 1000

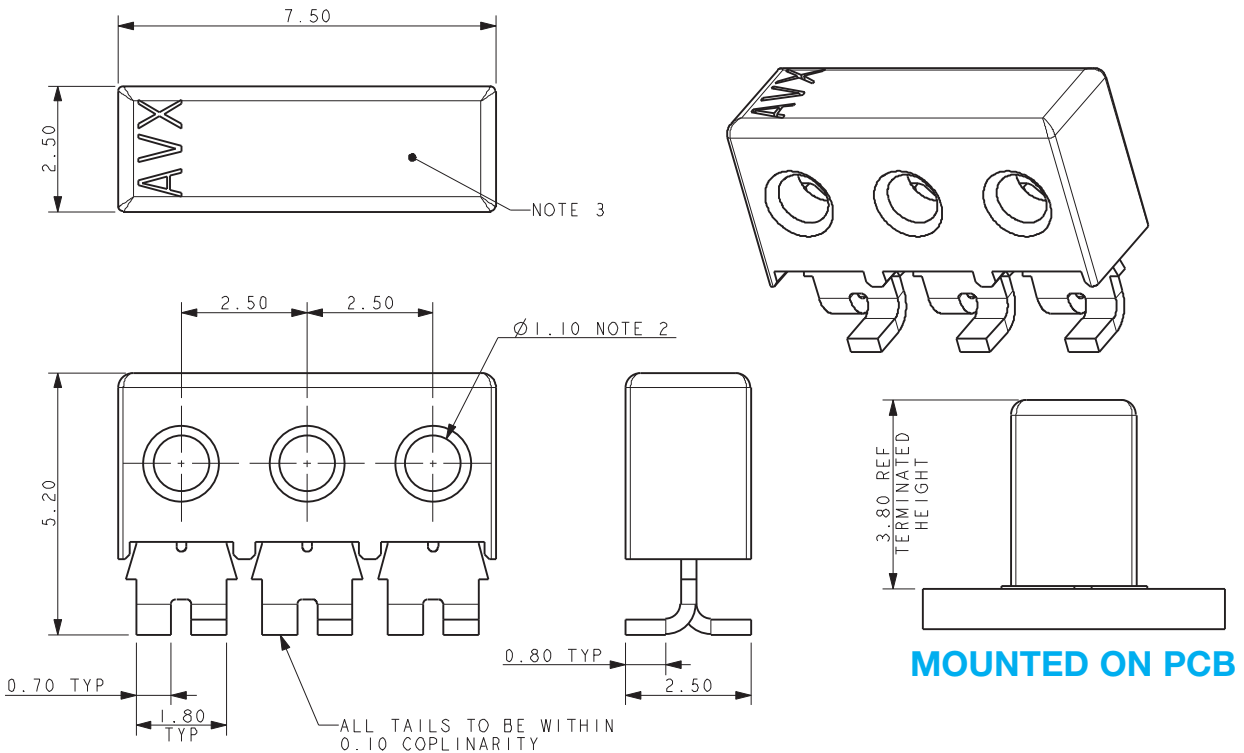


Discrete Wire IDC

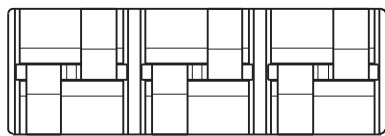
Series 9175-700



26-28 AWG 3 WAY IDC CONNECTOR THROUGH WIRE CAPPED IDC

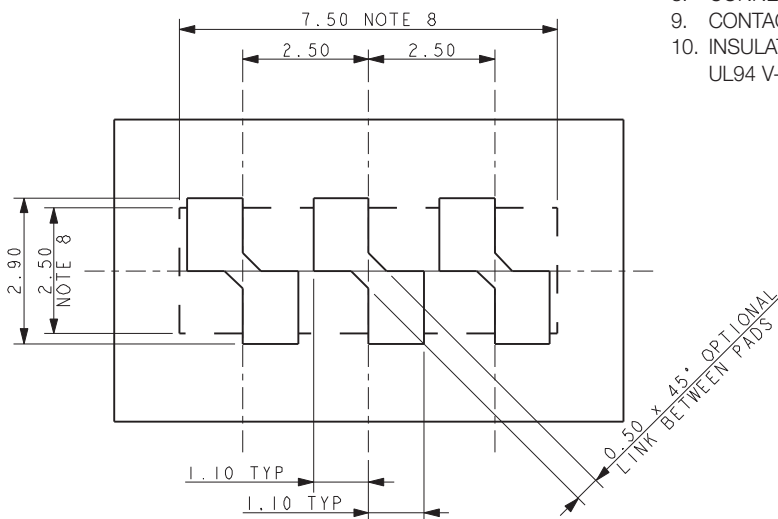


MOUNTED ON PCB



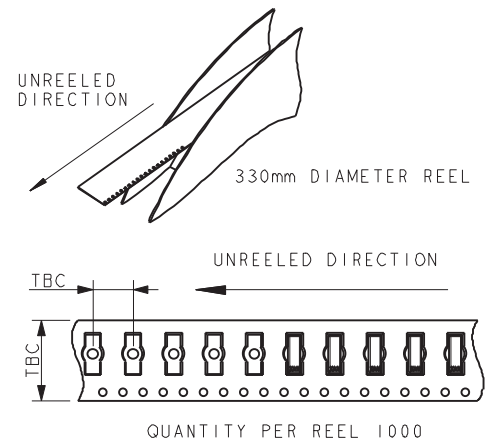
NOTES:

1. 3 WAY CONNECTOR FOR IDC WIRE TO BOARD CONNECTION. PRE-ASSEMBLED THROUGH WIRE CAP.
2. CONTACT/CAP TO MATCH 26AWG AND 28AWG WIRES. SOLID OR STANDED CONDUCTOR. MAXIMUM INSULATOR 1.00 MM DIAMETER.
3. FLAT FACE ON TOP OF CAP TO AID PICK AND PLACE ASSEMBLY.
4. FOR FULL DETAILS REFER TO ELCO SPECIFICATION 201-01-139.
5. ASSEMBLY PROCEDURE, REFER TO APPLICATION NOTES 201-01-140.
6. GENERAL TOLERANCE ± 0.20 UNLESS STATED.
7. PACKED IN TAPE AND REEL, QUANTITY PER REEL 1000.
8. CONNECTOR OUTLINE.
9. CONTACT MATERIAL: TIN PLATED COPPER ALLOY.
10. INSULATOR MATERIAL: HIGH TEMPERATURE NYLON, GLASS FILLED, UL94 V-0. COLOR REFER TO PAGE 1.



SUGGEST PCB LAYOUT

PACKING DETAILS

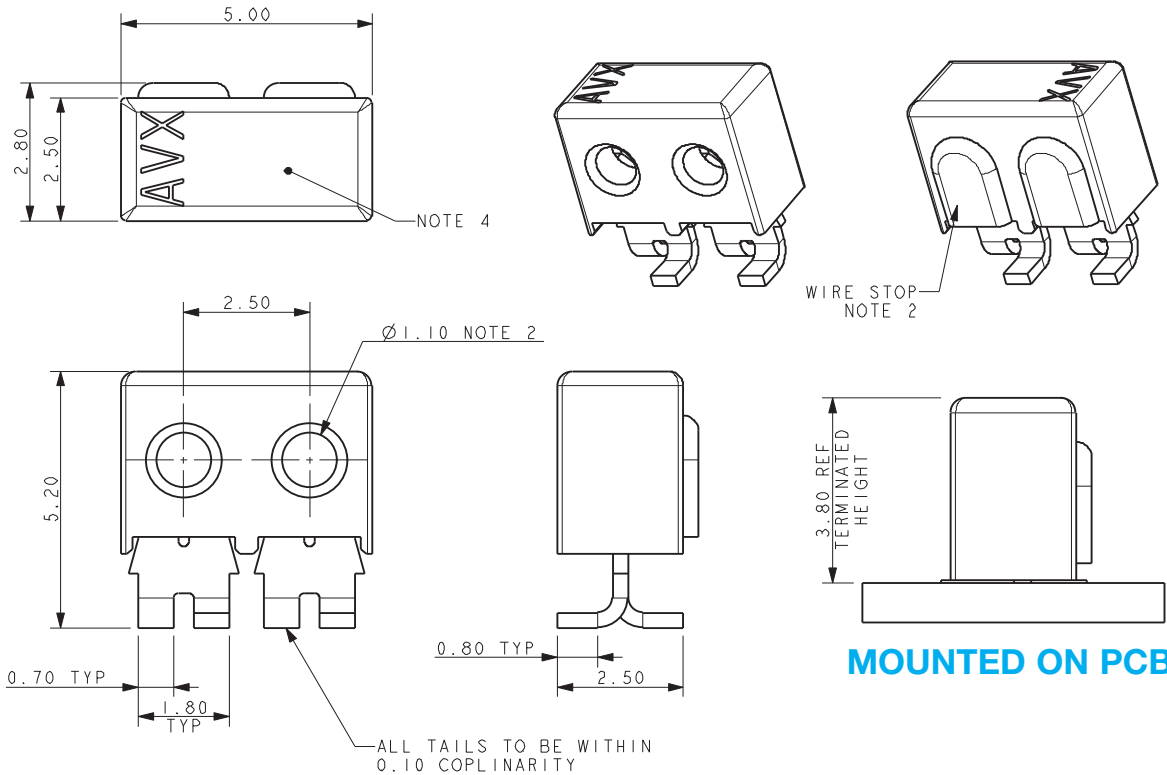


Discrete Wire IDC

Series 9175-700



26-28 AWG 2 WAY IDC CONNECTOR WIRE STOP CAPPED IDC

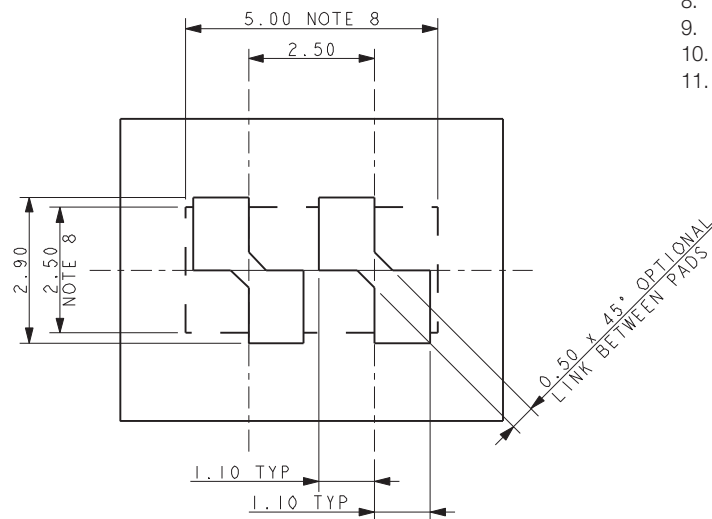


MOUNTED ON PCB

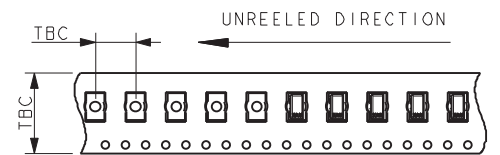
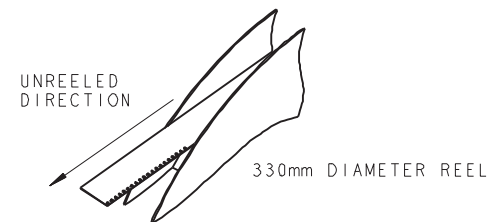
NOTES:

1. 2 WAY CONNECTOR FOR IDC WIRE TO BOARD CONNECTION. PRE-ASSEMBLED WIRE STOP CAP.
2. WIRE STOP CAP PROTECTS END OF WIRE.
3. CONTACT/CAP TO MATCH 26AWG AND 28AWG WIRES. SOLID OR STANDED CONDUCTOR. MAXIMUM INSULATOR 1.00 MM DIAMETER.
4. FLAT FACE ON TOP OF CAP TO AID PICK AND PLACE ASSEMBLY.
5. FOR FULL DETAILS REFER TO ELCO SPECIFICATION 201-01-139.
6. ASSEMBLY PROCEDURE, REFER TO APPLICATION NOTES 201-01-140.
7. GENERAL TOLERANCE ± 0.20 UNLESS STATED.
8. PACKED IN TAPE AND REEL, QUANTITY PER REEL 1000.
9. CONNECTOR OUTLINE.
10. CONTACT MATERIAL: TIN PLATED COPPER ALLOY.
11. INSULATOR MATERIAL: HIGH TEMPERATURE NYLON, GLASS FILLED, UL94 V-0. COLOR REFER TO PAGE 1.

PACKING DETAILS



SUGGEST PCB LAYOUT



QUANTITY PER REEL 1000

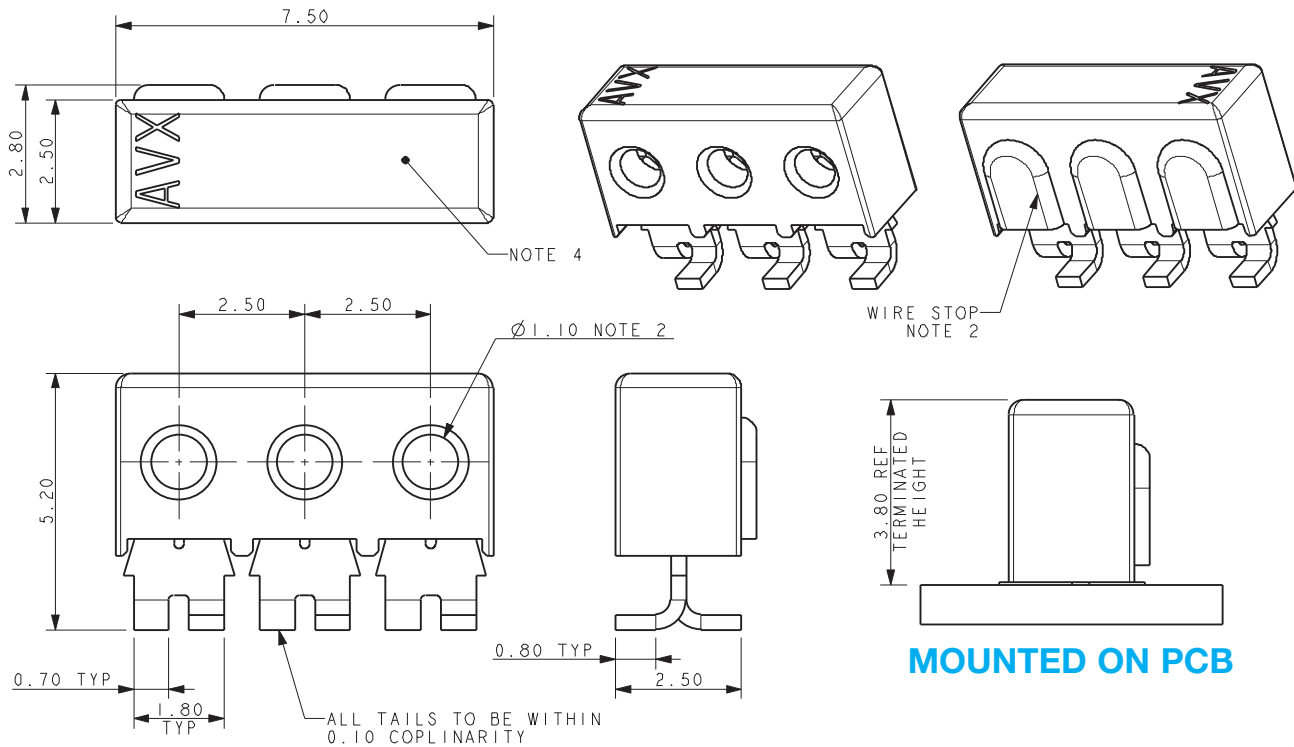


Discrete Wire IDC

Series 9175-700



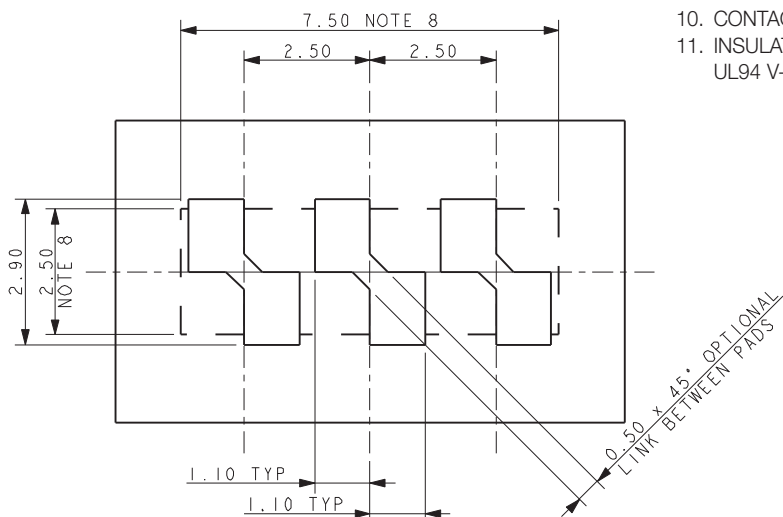
26-28 AWG 3 WAY IDC CONNECTOR WIRE STOP CAPPED IDC



MOUNTED ON PCB

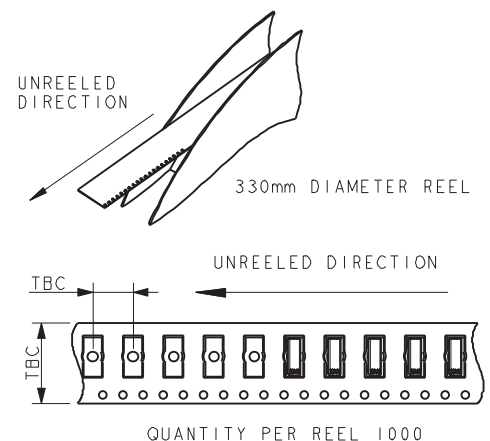
NOTES:

1. 3 WAY CONNECTOR FOR IDC WIRE TO BOARD CONNECTION. PRE-ASSEMBLED WIRE STOP CAP.
2. WIRE STOP CAP PROTECTS END OF WIRE.
3. CONTACT/CAP TO MATCH 26AWG AND 28AWG WIRES. SOLID OR STANDED CONDUCTOR. MAXIMUM INSULATOR 1.00 MM DIAMETER.
4. FLAT FACE ON TOP OF CAP TO AID PICK AND PLACE ASSEMBLY.
5. FOR FULL DETAILS REFER TO ELCO SPECIFICATION 201-01-139.
6. ASSEMBLY PROCEDURE, REFER TO APPLICATION NOTES 201-01-140.
7. GENERAL TOLERANCE ± 0.20 UNLESS STATED.
8. PACKED IN TAPE AND REEL, QUANTITY PER REEL 1000.
9. CONNECTOR OUTLINE.
10. CONTACT MATERIAL: TIN PLATED COPPER ALLOY.
11. INSULATOR MATERIAL: HIGH TEMPERATURE NYLON, GLASS FILLED, UL94 V-0. COLOR REFER TO PAGE 1.



SUGGEST PCB LAYOUT

PACKING DETAILS

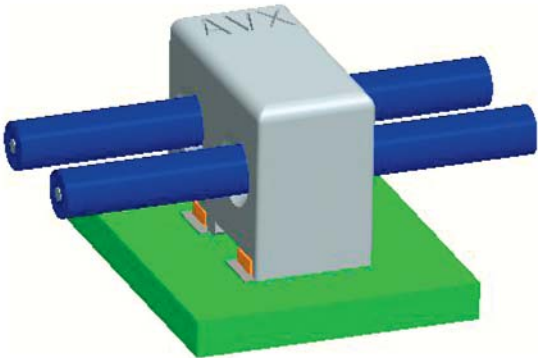
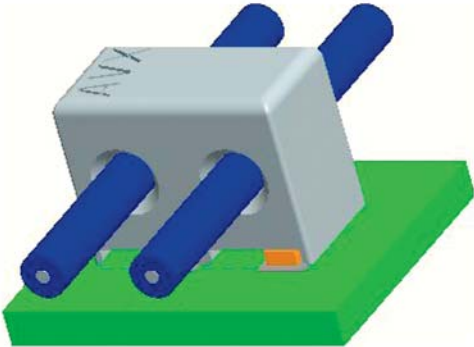


Discrete Wire IDC

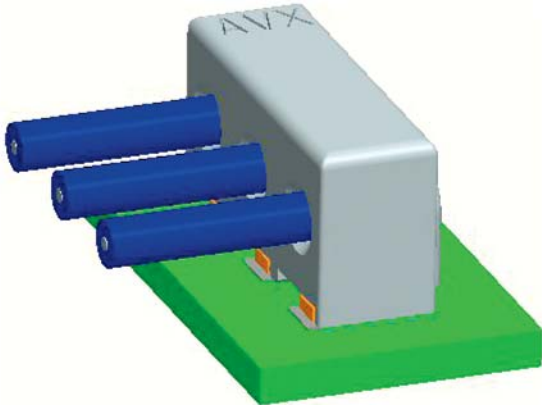
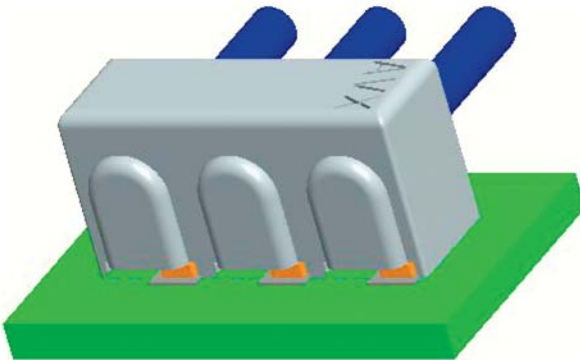
Series 9175-700



26-28 AWG ASSEMBLED CAPPED IDC CONNECTORS



TYPICAL THROUGH WIRE ASSEMBLY



TYPICAL WIRE STOP ASSEMBLY

